

iA H.265 360-degree Indoor Dome Camera

Panasonic WV-X4170 captures the highest quality images in even very challenging and dynamic environments.

In particular, the image of the person's face or object at the edge of the fisheye is clear with less distortion.

Intelligent Auto (iA) monitors scene dynamics and motion to adjust key camera settings automatically in real-time reducing distortion such as motion blur on moving objects. Adopting H.265 Smart Coding technology, bandwidth efficiency is intelligently increased for longer recording and less storage. Out of the box, the camera supports full data encryption streaming and is compliant to FIPS 140-2 Level 1 standards to keep your video secured. *Value in Advanced mode. It depends on the scene.

Extreme image quality for evidence capturing under challenging conditions

- Clear and less distorted image of the person's face and objects at the edge of the fisheye
- Instant response to sudden light changes like tunnel entry and exit
- Auto Shutter speed control for fast moving objects
- Super Dynamic 108dB for backlit situations and shadows on night streets

Extreme H.265 compression with new Smart Coding

- Longer recording and less storage space compared to any H.264 based compression techniques
- New self-learning ROI* encoding (Auto VIQS) dynamically detects motion areas to keep vehicles and humans in good picture quality while lowering your bandwidth *Region of Interest

Extreme Data Security

- Full encryption SD card edge recording to keep your data safe
- FIPS 140-2 Level 1 compliant
- Full end-to-end system encryption with supported VMS and devices to protect from IP snooping/spoofing and detect data alteration

Key Features

- 9 Megapixel fisheye images up to 30 fps
- iA (intelligent Auto)
- Super Dynamic 108dB
- H.265 Smart Coding
- FIPS 140-2 Level 1 compliant

Applications

- Transportation (Airport / Subway station)
- Logistics / Factory
- Education / Hospital
- Retail / Bank
- Building



Specifications

Camera	Image Sensor	Approx. 1/2 type MOS image sensor
	Minimum Illumination	Color : 0.3 lx, BW : 0.2 lx (F1.9, Maximum shutter : Off (1/30 s), AGC : 11) Color : 0.02 lx, BW : 0.01 lx (F1.9, Maximum shutter : Max. 16/30s, AGC : 11) *1
	Intelligent Auto	On / Off
	Maximum shutter	Max. 16/30s to Max. 1/10000s
	Super Dynamic ²	On / Off, the level can be set in the range of 0 to 31.
	Dynamic Range	108 dB (Super Dynamic : On, level : 31)
	Image Settings	Gain (AGC), White balance
	Image Compensation	Adaptive black stretch, Back light compensation (BLC), Fog compensation, High light compensation (HLC), Digital noise reduction
	Day / Night (Electrical)	Off / Auto
	Video Motion Detection (VMD)	On / Off, 4 areas available
	Intelligent VMD (i-VMD) ³	Type 5 *optional plug-in software WV-SAE200
	Privacy Zone	On / Off (up to 8 zones available)
	Camera Title (OSD)	On / Off Up to 20 characters (alphanumeric characters, marks)
	Fixing angle adjustment	-5°, 0°, +5°
Lens	Zoom Ratio	1x
	Digital (electronic) zoom	Choose from 3 levels of x1, x2, x4
	Focal length	1.4 mm (1/16 inches)
	Maximum Aperture Ratio	1 : 1.9
	Focus range	0.5 m (19-11/16 inches) - ∞
Angular Field of view	Horizontal : 183° Vertical : 183°	
Browser GUI	Camera Control	Brightness
	GUI / Setup Menu Language	English, Italian, French, German, Spanish, Portuguese, Russian, Chinese, Japanese
Network	Network IF	10Base-T / 100Base-TX, RJ45 connector
	Resolution	<Ceiling> <Wall>
		<Ceiling>
		<Wall>

*1 Converted value

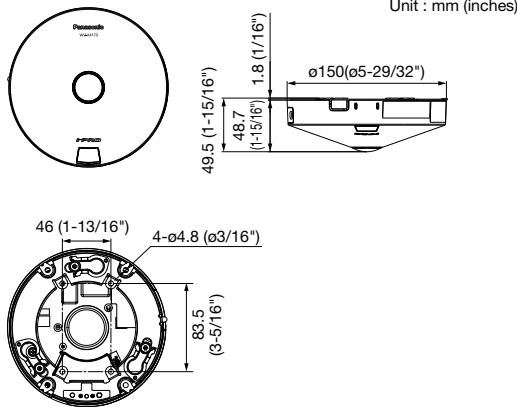
*2 When "On" is selected for "Super Dynamic(SD)", the frame rate is restricted to a maximum of 15fps.

*3 Auto VIQS, i-VMD, can not be used at the same time.

Network	H.265/ H.264 ⁴	Transmission Mode	Constant bit rate / VBR / Frame rate / Best effort
	JPEG	Transmission Type	Unicast / Multicast
Smart Coding		Image Quality	10 steps
			GOP (Group of pictures) control : On (Frame rate control) / On (Advanced) / On (Low) / On (Mid) / Off *On (Frame rate control) and On (Advanced) are only available with H.265. Auto VIQS : On / Off
Supported Protocol			IPv6 : TCP/IP, UDP/IP, HTTP, HTTPS, FTP, SMTP, DNS, NTP, SNMP, DHCPv6, RTP, MLD, ICMP, ARP, IEEE 802.1X, DiffServ IPv4 : TCP/IP, UDP/IP, HTTP, HTTPS, RTSP, RTP, RTP/RTCP, FTP, SMTP, DHCP, DNS, DDNS, NTP, SNMP, UPnP, IGMP, ICMP, ARP, IEEE 802.1X, DiffServ
Maximum concurrent access number			Up to 14 users (Depends on network conditions)
SDXC/SDHC/SD Memory Card (Option)			H.265 / H.264 recording : Manual REC / Alarm REC (Pre/Post) / Schedule REC / Backup upon network failure JPEG recording : Manual REC / Alarm REC (Pre/Post) / Backup upon network failure Compatible SDXC/SDHC/SD card : Panasonic 2 GB, 4 GB*, 8 GB*, 16 GB*, 32 GB*, 64 GB**, 128 GB**, 256 GB** model *SDHC card, **SDXC card (except miniSD card and microSD card)
Mobile Terminal Compatibility			iPad, iPhone, Android™ mobile terminals
Alarm	Alarm Source		VMD, Command alarm
	Alarm Actions		SDXC/SDHC/SD memory recording, E-mail notification, HTTP alarm notification, Indication on browser, FTP image transfer, Panasonic alarm protocol output
General	Safety		UL (UL60950-1), c-UL (CSA C22.2 No.60950-1), CE, IEC60950-1
	EMC		FCC (Part15 ClassA), ICES003 ClassA, EN55032 ClassB, EN55024
	Power Source and Power Consumption		PoE (IEEE802.3af compliant) Device : DC 48 V 150 mA/Approx. 7.2 W (Class 0 device)
	Ambient Operating Temperature		0 °C to +40 °C (32 °F to 104 °F)
	Ambient Operating Humidity		10% to 90 % (no condensation)
	Dimensions		ø150 mm x 49.5 mm (H) (ø5-29/32 inches x 1-15/16 inches (H))
	Mass (approx.)		Approx. 400 g (0.88 lbs)
	Finish		Main body : ABS resin, Sail white

*4 Transmission for 2 streams can be individually set.

Appearance



Optional Accessories

Ceiling Mount Bracket WV-Q105A



Plug-in Software for i-VMD WV-SAE200

i-VMD is possible to detect objects in the specified area by advanced video analysis technology.

i-VMD : People Counting, Heat-map, MOR(Moving Object Remover), Intruder Detection, Loitering Detection, Cross line Detection, Object Detection, Scene change Detection



Notification sent to the monitoring screen

Trademarks and registered trademarks

- iPad and iPhone are trademarks of Apple Inc., registered in the U.S. and other countries.
- Android is a trademark of Google Inc.
- ONVIF and the ONVIF logo are trademarks or registered trademarks of ONVIF Inc.
- All other trademarks identified herein are the property of their respective owners.

Important

- Safety Precaution : Carefully read the Important Information, Installation Guide and operating instructions before using this product.
- Panasonic cannot be responsible for the performance of the network and/or other manufacturers' products used on the network.

- Masses and dimensions are approximate. • Specifications are subject to change without notice.

DISTRIBUTED BY :

Panasonic

<http://security.panasonic.com>

<http://www.facebook.com/PanasonicNetworkCamera>

(2A-205A)